

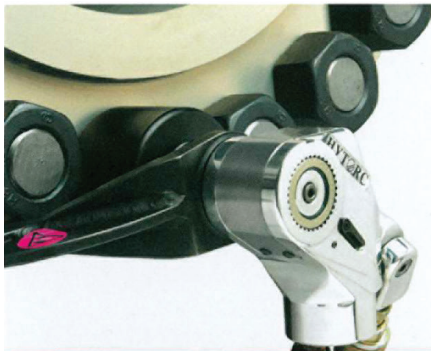
The World's Most Trusted Industrial Bolting Systems

AVANTI™ SERIES

The 3-in-1 Hydraulic Bolting System

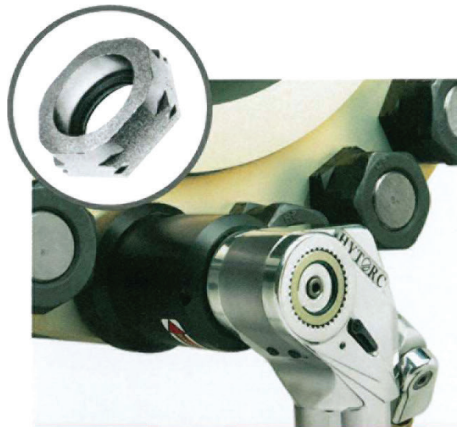


- The first system capable of achieving consistent calibrated load accuracy within 5% with torque accuracy of $\pm 3\%$
- Inline reaction reduces side load and increases tool durability
- 360° positioning of the reaction arm around the square drive
- Uniswivel technology for free movement and positioning of tool and hoses
- Increased safety with remote, hands-free operation, even on inverted applications
- Four-in-One system for pure-tension, torque, torque-angle and yield point bolting
- TwinTORC or SimulTORC Bolting Systems for tightening multiple bolts at the same time
- The smallest space requirements of all hydraulic square drive torque tensioners
- Available in 10 Sizes with Torque Output from 115 ft-lbs to over 138,000 ft-lbs



TRADITIONAL TORQUE

Traditional torque can be applied with a standard reaction arm or custom reaction fixtures.



HANDS-FREE TORQUE

Safe, accurate and hands-free; adding the HYTORC Washer™ under your hex nut eliminates the need for reaction arms and backup wrenches.



LOAD ACCURATE TENSION

The HYTORC Nut™ replaces traditional hex nuts for the highest level of load accuracy available today. Achieve straight-pull tensioning without hand torquing, applying heat or taking measurements.

24 Hour SERVICE

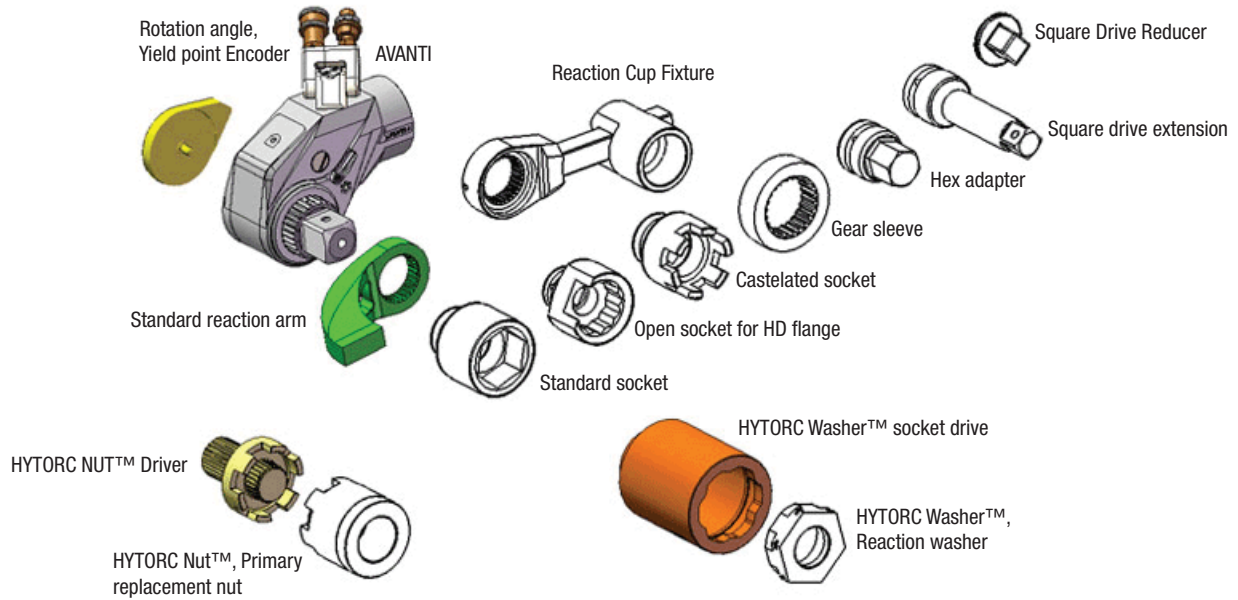
800-FOR-HYTORC

www.hytorc.com

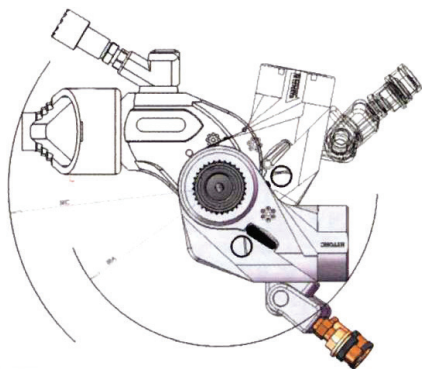
HYTORC®
Since 1968

333 RT. 17 N. MAHWAH, NJ 07430

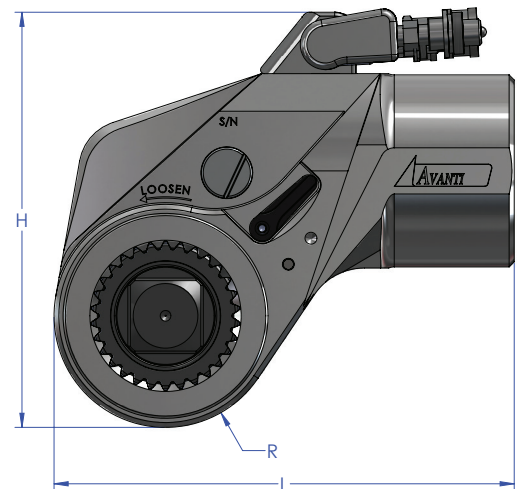
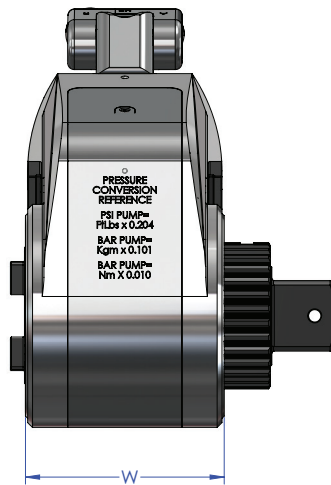
ACCESSORIES



DIMENSIONAL DATA



Smallest radius requirements of any Square Drive Torque Wrench



Model	DRIVE	R	L	H	W	Weight	Max Bolt Load	Min Torque	Max Torque
	Inches/mm								
AV-7	¾"	0.99/25.0	4.14/105.2	4.21/106.9	1.79/45.3	3.1/1.4	61,000/271	115/156	767/1,040
AV-1	¾"	1.13/28.6	5.04/127.9	4.92/124.9	2.18/55.2	4.5/2.0	90,000/400	193/261	1,284/1,741
AV-3	1"	1.50/38.1	6.53/165.9	6.31/160.2	2.9/73.7	9.45/4.3	177,000/787	445/604	2,861/4,025
AV-5	1 ½"	1.86/47.2	8.83/199.5	7.41/188.2	3.38/85.9	15.6/7.1	231,000/1,027	804/1,090	5,459/7,267
AV-8	1 ½"	2.07/52.5	9.92/224.2	8.38/212.7	3.86/98.0	20.75/9.4	326,000/1,450	1,164/1,578	7,760/10,521
AV-10	1 ½"	2.38/60.3	11.64/252.0	9.29/236.0	4.35/110.5	29.2/13.3	360,000/1,601	1,761/2,388	12,456/15,921
AV-20	2 ½"	2.60/66.0	11.64/295.7	10.26/260.6	5.07/128.8	47.7/21.7	565,000/2,513	2,760/3,742	17,890/24,255
AV-35	2 ½"	3.19/81.0	14.31/363.4	12.33/313.2	6.51/165.4	82.75/37.6	789,000/3,509	4,775/6,473	34,060/43,155
AV-50	2 ½"	3.95/100.3	16.3/414.0	14.03/356.4	7.04/178.8	127.7/57.1	980,000/4,359	7,202/9,764	49,750/62,538
AV-80	3 ½"	4.69/119.1	19.52/495.8	16.84/427.7	7.49/190.2	280.5/127.5	1,200,000/5,338	12,738/17,270	84,921/115,136
AV-130	3 ½"	5.31/134.9	22.7/577.3	20.14/511.6	8.5/215.9	585/265.9	1,500,000/6,672	19,395/26,296	138,500/187,792